

3 Pencil Case



You're sure to have the most stylish office supplies around with these colorful pencil cases, pieced together with squares and rectangles. One case has a zipper under the flap, while the other has a spring clasp (ideal if you're iffy about sewing zippers!).



Materials

(for spring clasp pencil case)

Fabric a, backing, and casings (plaid)

9 3/4" x 11 3/4" (25 x 30 cm)

Fabric b (pink print)

2 3/4" x 3 1/2" (7 x 9 cm)

Fabric c (yellow print)

2 3/4" x 3 1/2" (7 x 9 cm)

Fabric d (floral print)

4" x 7 3/4" (10 x 20 cm)

Fusible batting 6" x 13 3/4" (15 x 35 cm)

Lining 6" x 13 3/4" (15 x 35 cm)

Clasp

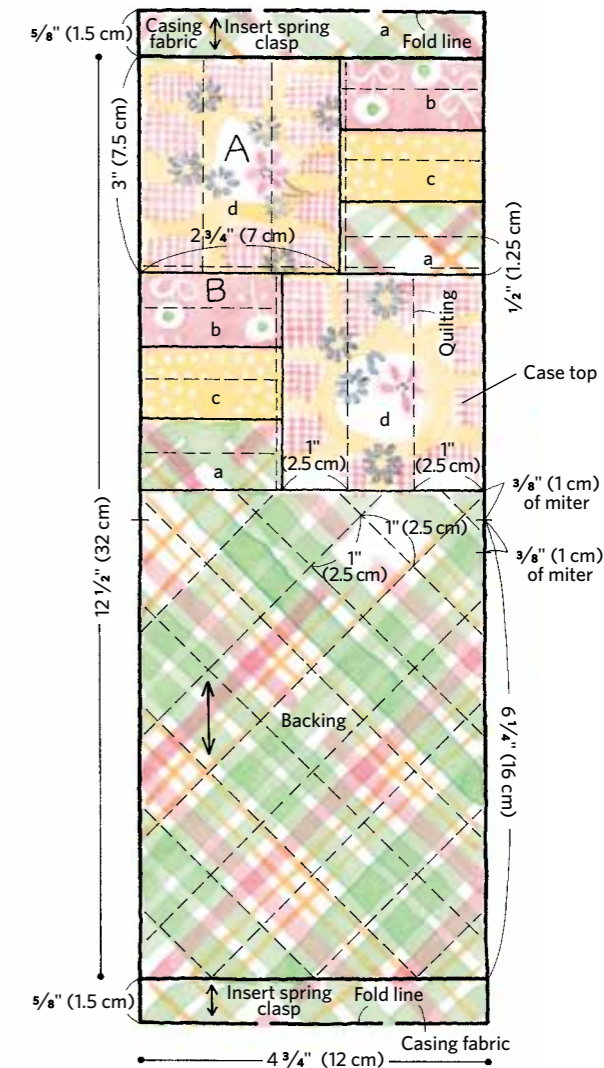
One 4" (10 cm)-long spring clasp

Cut the fabric.

Trace and cut out templates **A** and **B** on page 17 (following template cutting instructions on page 107). Cut fabric pieces adding a 1/4" (0.7 cm) seam allowance:

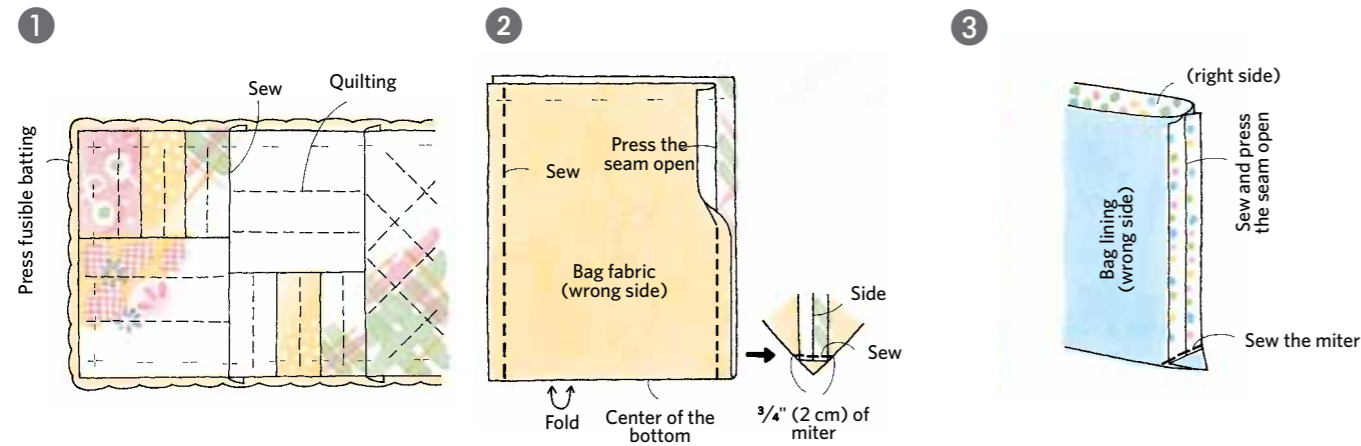
- 2 **A** pieces of fabric d
- 2 **B** pieces of fabric a
- 2 **B** pieces of fabric b
- 2 **B** pieces of fabric c
- 2 casing pieces of fabric a:
1 1/4" x 4 3/4" (3 x 12 cm)
- 1 backing piece: 4 1/4" x 6 3/4"
(12 x 16 cm) of fabric a
- 1 lining piece, cut without seam allowance: 4 1/4" x 12 3/4" (12 x 16 cm)

Patchwork Diagram



*Sew using a 1/4" (0.7 cm) seam allowance, unless otherwise noted.

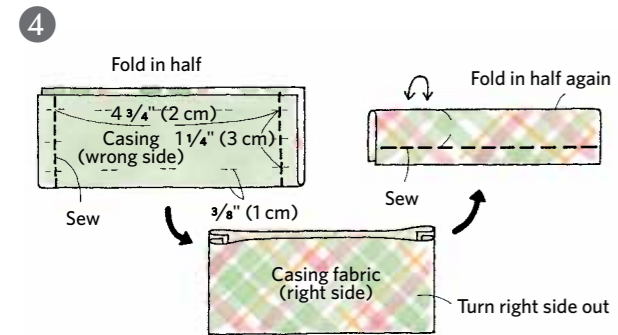
Sew the spring clasp pencil case.



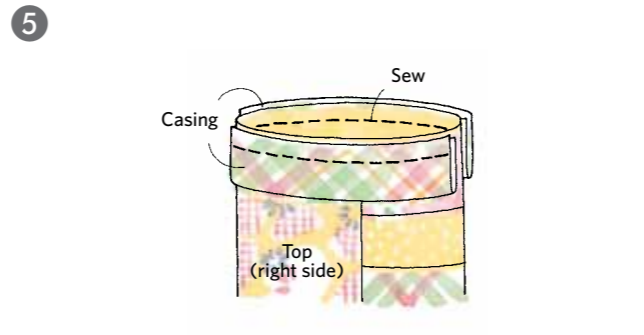
1. Make the pencil case top: Sew the pieces together as shown in the patchwork diagram on page 15. Sew the case top to the case backing along the short edge. Press the fusible batting to wrong side and quilt as shown in the above diagram.

2. Fold the pencil case in half with right sides together. Sew both sides and press the seams open. Miter corners by stitching across each corner at $\frac{3}{4}$ " (2 cm).

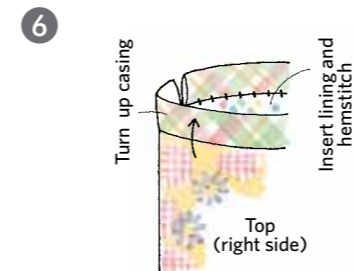
3. Repeat step 2 for the pencil case lining.



4. Make the clasp casing by folding each piece in half lengthwise with right sides together. Sew both short sides and turn right side out. Fold in half again and sew $\frac{1}{4}$ " (0.7 cm) along the raw edges. Make second casing.

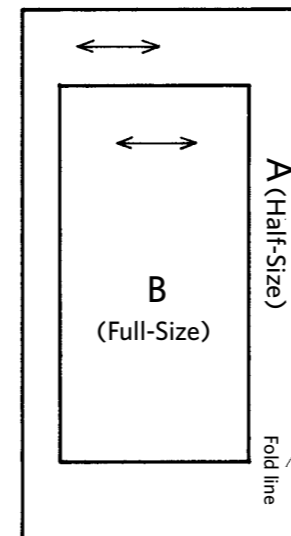


5. Position the raw edges of the casing on right side of the pencil case top. Sew the casing to the top of the pencil case, then repeat for second casing.



6. With wrong sides together, insert the lining into pencil case. Fold over the seam allowance on the lining and hemstitch to the case. Insert spring clasps through casings to finish.

Templates



Materials (for zippered pencil case)

Assorted prints

$9\frac{3}{4}$ " x $11\frac{3}{4}$ " (25 x 30 cm) in total

Top fabric (plain beige)

$9\frac{3}{4}$ " x $11\frac{3}{4}$ " (25 x 30 cm)

Fusible batting

$11\frac{3}{4}$ " x $11\frac{3}{4}$ " (30 x 30 cm)

Lining

$11\frac{3}{4}$ " x $11\frac{3}{4}$ " (30 x 30 cm)

Snaps

Two sets of snaps

Zipper

One $7\frac{3}{4}$ " (20 cm) -long zipper

Button

One decorative button

Thread

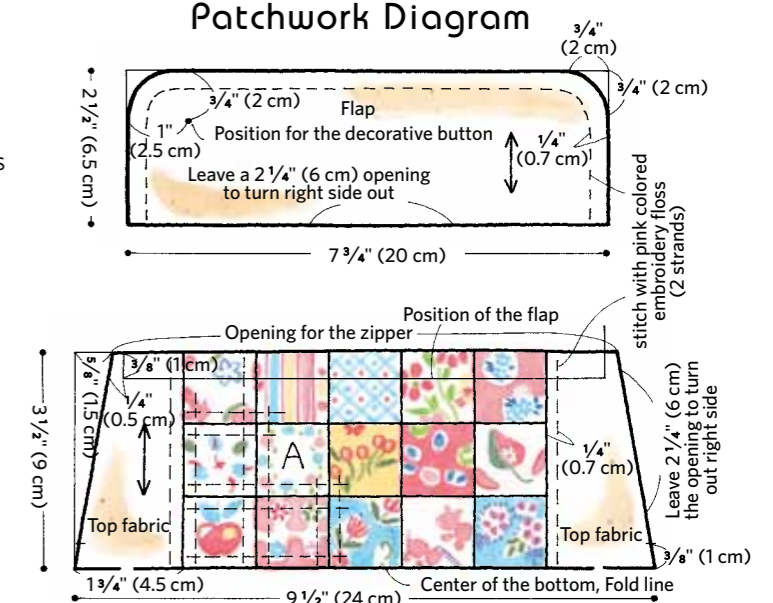
6-strand embroidery floss (pink)

Cut the fabric.

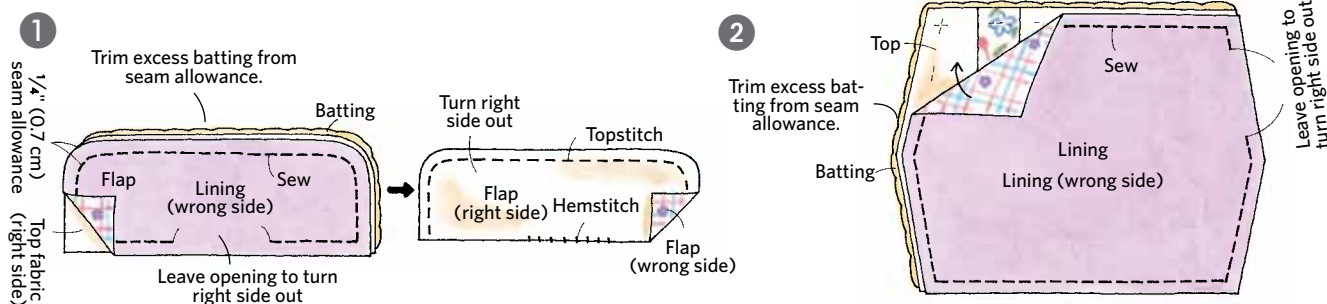
Cut two each of flap, top fabric (cut on fold), and lining pieces following measurements noted in patchwork diagram below, adding a $\frac{1}{4}$ " (0.7 cm) seam allowance. Trace and cut out template **A** on page 18 (following template cutting instructions on page 107). Cut 30 **A** pieces from assorted prints, adding a $\frac{1}{4}$ " (0.7 cm) seam allowance.

Patchwork Diagram

*Sew using a $\frac{1}{4}$ " (0.7 cm) seam allowance, unless otherwise noted.

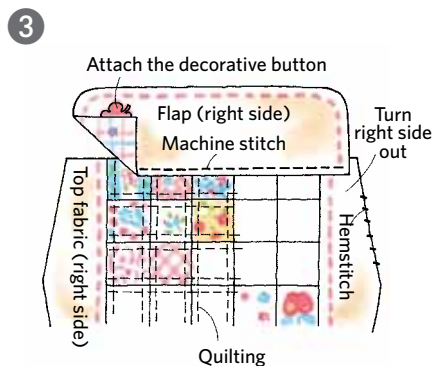


Sew the zippered pencil case.

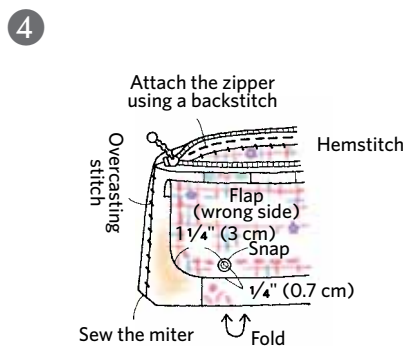


1. Make the flap: Press fusible batting to wrong side of flap. With right sides together, layer the flap and lining and sew along edges. Leave an opening on the bottom. Turn right side out, top stitch $\frac{1}{4}$ " (0.7 cm) from edge and hemstitch opening closed.

2. Make the pencil case top: Sew the **A** pieces together as shown in the patchwork diagram on page 17. Sew top fabric pieces to each side of the pencil case top. Press the fusible batting to the wrong side of the case top. Layer the case top and lining with right sides together and sew along edges, leaving an opening.



3. Turn right side out and quilt, as shown above. Use two strands of embroidery floss to quilt flap and top fabric. Hemstitch opening closed. Attach flap to the right side of the pencil case top. Add decorative button.



4. Fold pencil case and sew side seams using an overcast stitch. Miter corners (as shown in step 2 on page 16). Attach the zipper to the pencil case top by backstitching about $\frac{1}{8}$ " (0.3 cm) from the raw edge of the zipper. Hemstitch lining to the zipper. Add snaps to complete the case.

Full-Size Template

